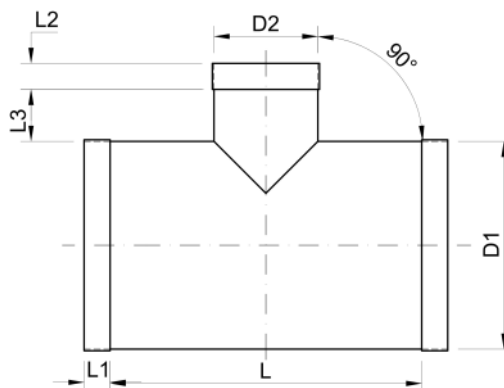
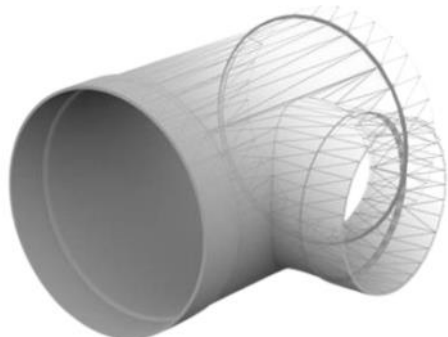


KARTA KATALOGOWA

Trójnik redukcyjny 90° okrągły



D1	D2	Nr kat.	PVC					PPs/PP-EL-s/ PP/PE				
			L	L1	L2	L3	s	L	L1	L2	L3	s
mm	mm	---	mm					mm				
63	50	XX.063.T.9050	150	25	25	50	2,5	150	25	25	50	3,0
75	50	XX.075.T.9050	150	40	40	50	2,5	150	40	40	50	3,0
75	63	XX.075.T.0063	160	40	40	50	2,5	160	40	40	50	3,0
90	50	XX.090.T.9050	150	40	40	50	2,5	150	40	40	50	3,0
90	63	XX.090.T.9063	160	40	40	50	2,5	160	40	40	50	3,0
90	75	XX.110.T.9063	175	40	40	50	2,5	175	40	40	50	3,0
110	50	XX.090.T.9075	150	40	40	50	2,5	150	40	40	50	3,0
110	63	XX.110.T.9075	160	40	40	50	2,5	160	40	40	50	3,0
110	75	XX.110.T.9075	175	40	40	50	2,5	175	40	40	50	3,0
110	90	XX.110.T.9090	190	40	40	50	2,5	190	40	40	50	3,0
125	50	XX.125.T.9050	150	40	40	50	2,5	150	40	40	50	3,0
125	63	XX.125.T.9063	160	40	40	50	2,5	160	40	40	50	3,0
125	75	XX.125.T.9075	175	40	40	50	2,5	175	40	40	50	3,0
125	90	XX.125.T.9090	190	40	40	50	2,5	190	40	40	50	3,0
125	110	XX.125.T.9110	210	40	40	50	2,5	210	40	40	50	3,0
140	50	XX.140.T.9050	150	40	40	50	2,5	150	40	40	50	3,0
140	63	XX.140.T.9063	160	40	40	50	2,5	160	40	40	50	3,0
140	75	XX.140.T.9075	175	40	40	50	2,5	175	40	40	50	3,0
140	90	XX.140.T.9090	190	40	40	50	2,5	190	40	40	50	3,0
140	110	XX.140.T.9110	210	40	40	50	2,5	210	40	40	50	3,0
140	125	XX.140.T.9125	225	40	40	50	2,5	225	40	40	50	3,0
160	50	XX.160.T.9050	150	40	40	50	2,5	150	40	40	50	3,0
160	63	XX.160.T.9063	160	40	40	50	2,5	160	40	40	50	3,0
160	75	XX.160.T.9075	170	40	40	50	2,5	170	40	40	50	3,0
160	90	XX.160.T.9090	190	40	40	50	2,5	190	40	40	50	3,0
160	110	XX.160.T.9110	210	40	40	50	2,5	210	40	40	50	3,0

KARTA KATALOGOWA

Trójnik redukcyjny 90° okrągły

D1	D2	Nr kat.	PVC					PPs/PP-EL-s/ PP/PE				
			L	L1	L2	L3	s	L	L1	L2	L3	s
mm	mm	---	mm					mm				
160	125	XX.160.T.9125	225	40	40	50	2,5	225	40	40	50	3,0
160	140	XX.160.T.9140	240	40	40	50	2,5	240	40	40	50	3,0
180	50	XX.180.T.9050	150	40	40	50	2,5	150	40	40	50	3,0
180	63	XX.180.T.9063	160	40	40	50	2,5	160	40	40	50	3,0
180	75	XX.180.T.9075	175	40	40	50	2,5	175	40	40	50	3,0
180	90	XX.180.T.9090	190	50	40	50	2,5	190	50	40	50	3,0
180	110	XX.180.T.9110	210	50	40	50	2,5	210	50	40	50	3,0
180	125	XX.180.T.9125	225	40	40	50	2,5	225	40	40	50	3,0
180	140	XX.180.T.9140	240	40	40	50	2,5	240	40	40	50	3,0
180	160	XX.180.T.9160	260	40	40	50	2,5	260	40	40	50	3,0
200	50	XX.200.T.9050	150	40	40	50	2,5	150	40	40	50	4,0
200	63	XX.200.T.9063	160	40	40	50	2,5	160	40	40	50	4,0
200	75	XX.200.T.9075	175	40	40	50	2,5	175	40	40	50	4,0
200	90	XX.200.T.9090	190	40	40	50	2,5	190	40	40	50	4,0
200	110	XX.200.T.9110	210	40	40	50	2,5	210	40	40	50	4,0
200	125	XX.200.T.9125	225	40	40	50	2,5	225	40	40	50	4,0
200	140	XX.200.T.9140	240	40	40	50	2,5	240	40	40	50	4,0
200	160	XX.200.T.9160	260	40	40	50	2,5	260	40	40	50	4,0
200	180	XX.200.T.9180	280	40	40	50	2,5	280	40	40	50	4,0
225	50	XX.225.T.9050	150	40	40	50	2,5	150	40	40	50	3,5
225	63	XX.255.T.9063	160	40	40	50	2,5	160	40	40	50	3,5
225	75	XX.255.T.9075	175	40	40	50	2,5	175	40	40	50	3,5
225	90	XX.225.T.9090	190	40	40	50	2,5	190	40	40	50	3,5
225	110	XX.225.T.9110	210	40	40	50	2,5	210	40	40	50	3,5
225	125	XX.225.T.9125	225	40	40	50	2,5	225	40	40	50	3,5
225	140	XX.225.T.9140	240	40	40	50	2,5	240	40	40	50	3,5
225	160	XX.225.T.9160	260	40	40	50	2,5	260	40	40	50	3,5
225	180	XX.225.T.9180	280	40	40	50	2,5	280	40	40	50	3,5
225	200	XX.225.T.9200	300	40	40	50	2,5	300	40	40	50	3,5
250	50	XX.250.T.9050	150	40	40	50	2,5	150	40	40	50	3,5
250	63	XX.250.T.9063	160	40	40	50	2,5	160	40	40	50	3,5
250	75	XX.250.T.9075	175	40	40	50	2,5	175	40	40	50	3,5
250	90	XX.250.T.9090	190	40	40	50	2,5	190	40	40	50	3,5
250	110	XX.250.T.9110	210	40	40	50	2,5	210	40	40	50	3,5
250	125	XX.250.T.9125	225	40	40	50	2,5	225	40	40	50	3,5
250	140	XX.250.T.9140	240	40	40	50	2,5	240	40	40	50	3,5

KARTA KATALOGOWA

Trójnik redukcyjny 90° okrągły

D1	D2	Nr kat.	PVC					PPs/PP-EL-s/ PP/PE				
			L	L1	L2	L3	s	L	L1	L2	L3	s
mm	mm	---	mm					mm				
250	160	XX.250.T.9160	260	40	40	50	2,5	260	40	40	50	3,5
250	180	XX.250.T.9180	280	40	40	50	2,5	280	40	40	50	3,5
250	200	XX.250.T.9200	300	40	40	50	2,5	300	40	40	50	3,5
250	225	XX.250.T.9255	325	40	40	50	2,5	325	40	40	50	3,5
280	50	XX.280.T.9050	150	50	40	50	2,5	150	50	40	50	4,0
280	63	XX.280.T.9063	160	50	40	50	2,5	160	50	40	50	4,0
280	75	XX.280.T.9075	175	50	40	50	2,5	175	50	40	50	4,0
280	90	XX.280.T.9090	190	50	40	50	2,5	190	50	40	50	4,0
280	110	XX.280.T.9110	210	50	40	50	2,5	210	50	40	50	4,0
280	125	XX.280.T.9125	225	50	40	50	2,5	225	50	40	50	4,0
280	140	XX.280.T.9140	240	50	40	50	2,5	240	50	40	50	4,0
280	160	XX.280.T.9160	260	50	40	50	2,5	260	50	40	50	4,0
280	180	XX.280.T.9180	280	50	40	50	2,5	280	50	40	50	4,0
280	200	XX.280.T.9200	300	50	40	50	2,5	300	50	40	50	4,0
280	225	XX.280.T.9225	325	50	40	50	2,5	325	50	40	50	4,0
280	250	XX.280.T.9250	350	50	40	50	2,5	350	50	40	50	4,0
315	50	XX.315.T.9050	150	50	40	50	4,0	150	50	40	50	5,0
315	63	XX.315.T.9063	160	50	40	50	4,0	160	50	40	50	5,0
315	75	XX.315.T.9075	175	50	40	50	4,0	175	50	40	50	5,0
315	90	XX.315.T.9090	190	50	40	50	4,0	190	50	40	50	5,0
315	110	XX.315.T.9110	210	50	40	50	4,0	210	50	40	50	5,0
315	125	XX.315.T.9125	225	50	40	50	4,0	225	50	40	50	5,0
315	140	XX.315.T.9140	240	50	40	50	4,0	240	50	40	50	5,0
315	160	XX.315.T.9160	260	50	40	50	4,0	260	50	40	50	5,0
315	180	XX.315.T.9180	280	50	40	50	4,0	280	50	40	50	5,0
315	200	XX.315.T.9200	300	50	40	50	4,0	300	50	40	50	5,0
315	225	XX.315.T.9225	325	50	40	50	4,0	325	50	40	50	5,0
315	250	XX.315.T.9250	350	50	40	50	4,0	350	50	40	50	5,0
315	280	XX.315.T.9280	380	50	40	50	4,0	380	50	40	50	5,0
355	50	XX.355.T.9050	150	45	40	50	3,0	150	45	40	50	5,0
355	63	XX.355.T.9063	160	45	40	50	3,0	160	45	40	50	5,0
355	75	XX.355.T.9075	175	45	40	50	3,0	175	45	40	50	5,0
355	90	XX.355.T.9090	190	45	40	50	3,0	190	45	40	50	5,0
355	110	XX.355.T.9110	210	45	40	50	3,0	210	45	40	50	5,0
355	125	XX.355.T.9125	225	45	40	50	3,0	225	45	40	50	5,0
355	140	XX.355.T.9140	240	45	40	50	3,0	240	45	40	50	5,0

KARTA KATALOGOWA

Trójnik redukcyjny 90° okrągły

D1	D2	Nr kat.	PVC					PPs/PP-EL-s/ PP/PE				
			L	L1	L2	L3	s	L	L1	L2	L3	s
mm	mm	---	mm					mm				
355	160	XX.355.T.9160	260	45	40	50	3,0	260	45	40	50	5,0
355	180	XX.355.T.9180	280	45	40	50	3,0	280	45	40	50	5,0
355	200	XX.355.T.9200	300	45	40	50	3,0	300	45	40	50	5,0
355	225	XX.355.T.9225	325	45	40	50	3,0	325	45	40	50	5,0
355	250	XX.355.T.9250	350	45	40	50	3,0	350	45	40	50	5,0
355	280	XX.355.T.9280	380	45	50	50	3,0	380	45	50	50	5,0
355	315	XX.355.T.9315	415	45	50	50	3,0	415	45	50	50	5,0
400	50	XX.400.T.9050	150	45	40	50	3,0	150	45	40	50	6,0
400	63	XX.400.T.9063	160	45	40	50	3,0	160	45	40	50	6,0
400	75	XX.400.T.9075	175	45	40	50	3,0	175	45	40	50	6,0
400	90	XX.400.T.9090	190	45	40	50	3,0	190	45	40	50	6,0
400	110	XX.400.T.9110	210	45	40	50	3,0	210	45	40	50	6,0
400	125	XX.400.T.9125	225	45	40	50	3,0	225	45	40	50	6,0
400	140	XX.400.T.9140	240	45	40	50	3,0	240	45	40	50	6,0
400	160	XX.400.T.9160	260	45	40	50	3,0	260	45	40	50	6,0
400	180	XX.400.T.9180	280	45	40	50	3,0	280	45	40	50	6,0
400	200	XX.400.T.9200	300	45	40	50	3,0	300	45	40	50	6,0
400	225	XX.400.T.9225	325	45	40	50	3,0	325	45	40	50	6,0
400	250	XX.400.T.9250	350	45	40	50	3,0	350	45	40	50	6,0
400	280	XX.400.T.9280	380	45	50	50	3,0	380	45	50	50	6,0
400	315	XX.400.T.9315	415	45	50	50	3,0	415	45	50	50	6,0
400	355	XX.400.T.9355	455	45	50	50	3,0	455	45	50	50	6,0
450	50	XX.450.T.9050	150	50	40	50	3,6	150	50	40	50	5,0
450	63	XX.450.T.9063	160	50	40	50	3,6	160	50	40	50	5,0
450	75	XX.450.T.9075	175	50	40	50	3,6	175	50	40	50	5,0
450	90	XX.450.T.9090	190	50	40	50	3,6	190	50	40	50	5,0
450	110	XX.450.T.9110	210	50	40	50	3,6	210	50	40	50	5,0
450	125	XX.450.T.9125	225	50	40	50	3,6	225	50	40	50	5,0
450	140	XX.450.T.9140	240	50	40	50	3,6	240	50	40	50	5,0
450	160	XX.450.T.9160	260	50	40	50	3,6	260	50	40	50	5,0
450	180	XX.450.T.9180	280	50	40	50	3,6	280	50	40	50	5,0
450	200	XX.450.T.9200	300	50	40	50	3,6	300	50	40	50	5,0
450	225	XX.450.T.9225	325	50	40	50	3,6	325	50	40	50	5,0
450	250	XX.450.T.9250	350	50	40	50	3,6	350	50	40	50	5,0
450	280	XX.450.T.9280	380	50	50		3,6	380	50	50	50	5,0
450	315	XX.450.T.9315	415	50	50	50	3,6	415	50	50	50	5,0

KARTA KATALOGOWA

Trójnik redukcyjny 90° okrągły

D1	D2	Nr kat.	PVC					PPs/PP-EL-s/ PP/PE				
			L	L1	L2	L3	s	L	L1	L2	L3	s
mm	mm	---	mm					mm				
450	355	XX.450.T.9355	455	50	50	50	3,6	455	50	50	50	5,0
450	400	XX.450.T.9400	600	50	50	100	3,6	600	50	50	100	5,0
500	50	XX.500.T.9050	150	50	40	50	5,0	150	50	40	50	5,0
500	63	XX.500.T.9063	160	50	40	50	5,0	160	50	40	50	5,0
500	75	XX.500.T.9075	175	50	40	50	5,0	175	50	40	50	5,0
500	90	XX.500.T.9090	190	50	40	50	5,0	190	50	40	50	5,0
500	110	XX.500.T.9110	210	50	40	50	5,0	210	50	40	50	5,0
500	125	XX.500.T.9125	225	50	40	50	5,0	225	50	40	50	5,0
500	140	XX.500.T.9140	240	50	40	50	5,0	240	50	40	50	5,0
500	160	XX.500.T.9160	260	50	40	50	5,0	260	50	40	50	5,0
500	180	XX.500.T.9180	280	50	40	50	5,0	280	50	40	50	5,0
500	200	XX.500.T.9200	300	50	40	50	5,0	300	50	40	50	5,0
500	225	XX.500.T.9225	325	50	40	50	5,0	325	50	40	50	5,0
500	250	XX.500.T.9250	350	50	40	50	5,0	350	50	40	50	5,0
500	280	XX.500.T.9280	380	50	50	50	5,0	380	50	50	50	5,0
500	315	XX.500.T.9315	415	50	50	50	5,0	415	50	50	50	5,0
500	355	XX.500.T.9355	455	50	50	50	5,0	455	50	50	50	5,0
500	400	XX.500.T.9400	600	50	50	100	5,0	600	50	50	100	5,0
500	450	XX.500.T.9450	650	50	50	100	5,0	650	50	50	100	5,0
560	50	XX.560.T.9050	-	-	-	-	-	150	60	40	50	5,0
560	63	XX.560.T.9063	-	-	-	-	-	160	60	40	50	6,0
560	75	XX.560.T.9075	-	-	-	-	-	175	60	40	50	6,0
560	90	XX.560.T.9090	-	-	-	-	-	190	60	40	50	6,0
560	110	XX.560.T.9110	-	-	-	-	-	210	60	40	50	6,0
560	125	XX.560.T.9125	-	-	-	-	-	225	60	40	50	6,0
560	140	XX.560.T.9140	-	-	-	-	-	240	60	40	50	6,0
560	160	XX.560.T.9160	-	-	-	-	-	260	60	40	50	6,0
560	180	XX.560.T.9180	-	-	-	-	-	280	60	40	50	6,0
560	200	XX.560.T.9200	-	-	-	-	-	300	60	40	50	6,0
560	225	XX.560.T.9225	-	-	-	-	-	325	60	40	50	6,0
560	250	XX.560.T.9250	-	-	-	-	-	350	60	40	50	6,0
560	280	XX.560.T.9280	-	-	-	-	-	380	60	50	50	6,0
560	315	XX.560.T.9315	-	-	-	-	-	415	60	50	50	6,0
560	355	XX.560.T.9355	-	-	-	-	-	455	60	50	50	6,0
560	400	XX.560.T.9400	-	-	-	-	-	600	60	50	100	6,0
560	450	XX.560.T.9450	-	-	-	-	-	650	60	50	100	6,0

KARTA KATALOGOWA

Trójnik redukcyjny 90° okrągły

D1	D2	Nr kat.	PVC					PPs/PP-EL-s/ PP/PE				
			L	L1	L2	L3	s	L	L1	L2	L3	s
mm	mm	---	mm					mm				
560	500	XX.560.T.9500	-	-	-	-	-	700	60	50	100	6,0
600	50	XX.600.T.9050	150	60	40	50	5,0	150	60	40	50	6,0
600	63	XX.600.T.9063	160	60	40	50	5,0	160	60	40	50	6,0
600	75	XX.600.T.9075	175	60	40	50	5,0	175	60	40	50	6,0
600	90	XX.600.T.9090	190	60	40	50	5,0	190	60	40	50	6,0
600	110	XX.600.T.9110	210	60	40	50	5,0	210	60	40	50	6,0
600	125	XX.600.T.9125	225	60	40	50	5,0	225	60	40	50	6,0
600	140	XX.600.T.9140	240	60	40	50	5,0	240	60	40	50	6,0
600	160	XX.600.T.9160	260	60	40	50	5,0	260	60	40	50	6,0
600	180	XX.600.T.9180	280	60	40	50	5,0	280	60	40	50	6,0
600	200	XX.600.T.9200	300	60	40	50	5,0	300	60	40	50	6,0
600	225	XX.600.T.9225	325	60	40	50	5,0	325	60	40	50	6,0
600	250	XX.600.T.9250	350	60	40	50	5,0	350	60	40	50	6,0
600	280	XX.600.T.9280	380	60	50	50	5,0	380	60	50	50	6,0
600	315	XX.600.T.9315	415	60	50	50	5,0	415	60	50	50	6,0
600	355	XX.600.T.9355	455	60	50	50	5,0	455	60	50	50	6,0
600	400	XX.600.T.9400	600	60	50	100	5,0	600	60	50	100	6,0
600	450	XX.600.T.9450	650	60	50	100	5,0	650	60	50	100	6,0
600	500	XX.600.T.9500	700	60	50	100	5,0	700	60	50	100	6,0
600	560	XX.600.T.9560	-	-	-	-	-	760	60	60	100	6,0
630	50	XX.630.T.9050	-	-	-	-	-	150	70	40	50	6,0
630	63	XX.630.T.9063	-	-	-	-	-	160	70	40	50	6,0
630	75	XX.630.T.9075	-	-	-	-	-	175	70	40	50	6,0
630	90	XX.630.T.9090	-	-	-	-	-	190	70	40	50	6,0
630	110	XX.630.T.9110	-	-	-	-	-	210	70	40	50	6,0
630	125	XX.630.T.9125	-	-	-	-	-	225	70	40	50	6,0
630	140	XX.630.T.9140	-	-	-	-	-	240	70	40	50	6,0
630	160	XX.630.T.9160	-	-	-	-	-	260	70	40	50	6,0
630	180	XX.630.T.9180	-	-	-	-	-	280	70	40	50	6,0
630	200	XX.630.T.9200	-	-	-	-	-	300	70	40	50	6,0
630	225	XX.630.T.9225	-	-	-	-	-	325	70	40	50	6,0
630	250	XX.630.T.9250	-	-	-	-	-	350	70	40	50	6,0
630	280	XX.630.T.9280	-	-	-	-	-	380	70	50	50	6,0
630	315	XX.630.T.9315	-	-	-	-	-	415	70	50	50	6,0
630	355	XX.630.T.9355	-	-	-	-	-	455	70	50	50	6,0
630	400	XX.630.T.9400	-	-	-	-	-	600	70	50	100	6,0

KARTA KATALOGOWA

Trójnik redukcyjny 90° okrągły

D1	D2	Nr kat.	PVC					PPs/PP-EL-s/ PP/PE				
			L	L1	L2	L3	s	L	L1	L2	L3	s
mm	mm	---	mm					mm				
560	500	XX.560.T.9500	-	-	-	-	-	700	60	50	100	6,0
600	50	XX.600.T.9050	150	60	40	50	5,0	150	60	40	50	6,0
600	63	XX.600.T.9063	160	60	40	50	5,0	160	60	40	50	6,0
600	75	XX.600.T.9075	175	60	40	50	5,0	175	60	40	50	6,0
600	90	XX.600.T.9090	190	60	40	50	5,0	190	60	40	50	6,0
600	110	XX.600.T.9110	210	60	40	50	5,0	210	60	40	50	6,0
600	125	XX.600.T.9125	225	60	40	50	5,0	225	60	40	50	6,0
600	140	XX.600.T.9140	240	60	40	50	5,0	240	60	40	50	6,0
600	160	XX.600.T.9160	260	60	40	50	5,0	260	60	40	50	6,0
600	180	XX.600.T.9180	280	60	40	50	5,0	280	60	40	50	6,0
600	200	XX.600.T.9200	300	60	40	50	5,0	300	60	40	50	6,0
600	225	XX.600.T.9225	325	60	40	50	5,0	325	60	40	50	6,0
600	250	XX.600.T.9250	350	60	40	50	5,0	350	60	40	50	6,0
600	280	XX.600.T.9280	380	60	50	50	5,0	380	60	50	50	6,0
600	315	XX.600.T.9315	415	60	50	50	5,0	415	60	50	50	6,0
600	355	XX.600.T.9355	455	60	50	50	5,0	455	60	50	50	6,0
600	400	XX.600.T.9400	600	60	50	100	5,0	600	60	50	100	6,0
600	450	XX.600.T.9450	650	60	50	100	5,0	650	60	50	100	6,0
600	500	XX.600.T.9500	700	60	50	100	5,0	700	60	50	100	6,0
600	560	XX.600.T.9560	-	-	-	-	-	760	60	60	100	6,0
630	50	XX.630.T.9050	-	-	-	-	-	150	70	40	50	6,0
630	63	XX.630.T.9063	-	-	-	-	-	160	70	40	50	6,0
630	75	XX.630.T.9075	-	-	-	-	-	175	70	40	50	6,0
630	90	XX.630.T.9090	-	-	-	-	-	190	70	40	50	6,0
630	110	XX.630.T.9110	-	-	-	-	-	210	70	40	50	6,0
630	125	XX.630.T.9125	-	-	-	-	-	225	70	40	50	6,0
630	140	XX.630.T.9140	-	-	-	-	-	240	70	40	50	6,0
630	160	XX.630.T.9160	-	-	-	-	-	260	70	40	50	6,0
630	180	XX.630.T.9180	-	-	-	-	-	280	70	40	50	6,0
630	200	XX.630.T.9200	-	-	-	-	-	300	70	40	50	6,0
630	225	XX.630.T.9225	-	-	-	-	-	325	70	40	50	6,0
630	250	XX.630.T.9250	-	-	-	-	-	350	70	40	50	6,0
630	280	XX.630.T.9280	-	-	-	-	-	380	70	50	50	6,0
630	315	XX.630.T.9315	-	-	-	-	-	415	70	50	50	6,0
630	355	XX.630.T.9355	-	-	-	-	-	455	70	50	50	6,0
630	400	XX.630.T.9400	-	-	-	-	-	600	70	50	100	6,0

KARTA KATALOGOWA

Trójnik redukcyjny 90° okrągły

D1	D2	Nr kat.	PVC					PPs/PP-EL-s/ PP/PE				
			L	L1	L2	L3	s	L	L1	L2	L3	s
mm	mm	---	mm					mm				
630	450	XX.630.T.9450	-	-	-	-	-	650	70	50	100	6,0
630	500	XX.630.T.9500	-	-	-	-	-	700	70	50	100	6,0
630	560	XX.630.T.9560	-	-	-	-	-	760	70	60	100	6,0
630	600	XX.630.T.9600	-	-	-	-	-	800	70	60	100	6,0
700	50	XX.700.T.9050	190	70	40	55	6,0	150	70	40	50	6,0
700	63	XX.700.T.9063	203	70	40	55	6,0	160	70	40	50	6,0
700	75	XX.700.T.9075	215	70	40	55	6,0	175	70	40	50	6,0
700	90	XX.700.T.9090	230	70	40	55	6,0	190	70	40	50	6,0
700	110	XX.700.T.9110	250	70	40	55	6,0	210	70	40	50	6,0
700	125	XX.700.T.9125	265	70	40	55	6,0	225	70	40	50	6,0
700	140	XX.700.T.9140	280	70	40	55	6,0	240	70	40	50	6,0
700	160	XX.700.T.9160	300	70	40	55	6,0	260	70	40	50	6,0
700	180	XX.700.T.9180	320	70	40	55	6,0	280	70	40	50	6,0
700	200	XX.700.T.9200	340	70	40	55	6,0	300	70	40	50	6,0
700	225	XX.700.T.9225	365	70	40	55	6,0	325	70	40	50	6,0
700	250	XX.700.T.9250	390	70	40	55	6,0	350	70	40	50	6,0
700	280	XX.700.T.9280	420	70	50	60	6,0	380	70	50	50	6,0
700	315	XX.700.T.9315	455	70	50	60	6,0	415	70	50	50	6,0
700	355	XX.700.T.9355	495	70	50	60	6,0	455	70	50	50	6,0
700	400	XX.700.T.9400	540	70	50	60	6,0	600	70	50	100	6,0
700	450	XX.700.T.9450	586	70	50	68	6,0	650	70	50	100	6,0
700	500	XX.700.T.9500	650	70	50	75	6,0	700	70	50	100	6,0
700	560	XX.700.T.9560	-	-	-	-	-	760	70	60	100	6,0
700	600	XX.700.T.9600	780	70	60	90	6,0	800	70	60	100	6,0
700	630	XX.700.T.9630	-	-	-	-	-	830	70	70	150	6,0
710	50	XX.710.T.9050	-	-	-	-	-	150	80	40	50	6,0
710	63	XX.710.T.9063	-	-	-	-	-	163	80	40	50	6,0
710	75	XX.710.T.9075	-	-	-	-	-	175	80	40	50	6,0
710	90	XX.710.T.9090	-	-	-	-	-	190	80	40	50	6,0
710	110	XX.710.T.9110	-	-	-	-	-	210	80	40	50	6,0
710	125	XX.710.T.9125	-	-	-	-	-	225	80	40	50	6,0
710	140	XX.710.T.9140	-	-	-	-	-	240	80	40	50	6,0
710	160	XX.710.T.9160	-	-	-	-	-	260	80	40	50	6,0
710	180	XX.710.T.9180	-	-	-	-	-	280	80	40	50	6,0
710	200	XX.710.T.9200	-	-	-	-	-	300	80	40	50	6,0
710	225	XX.710.T.9225	-	-	-	-	-	325	80	40	50	6,0

KARTA KATALOGOWA

Trójnik redukcyjny 90° okrągły

D1	D2	Nr kat.	PVC					PPs/PP-EL-s/ PP/PE				
			L	L1	L2	L3	s	L	L1	L2	L3	s
mm	mm	---	mm					mm				
710	250	XX.710.T.9250	-	-	-	-	-	350	80	40	50	6,0
710	280	XX.710.T.9280	-	-	-	-	-	380	80	50	50	6,0
710	315	XX.710.T.9315	-	-	-	-	-	415	80	50	50	6,0
710	355	XX.710.T.9355	-	-	-	-	-	455	80	50	50	6,0
710	400	XX.710.T.9400	-	-	-	-	-	600	80	50	100	6,0
710	450	XX.710.T.9450	-	-	-	-	-	650	80	50	100	6,0
710	500	XX.710.T.9500	-	-	-	-	-	700	80	50	100	6,0
710	560	XX.710.T.9560	-	-	-	-	-	760	80	60	100	6,0
710	600	XX.710.T.9600	-	-	-	-	-	800	80	60	100	6,0
710	630	XX.710.T.9630	-	-	-	-	-	830	80	70	100	6,0
710	700	XX.710.T.9700	-	-	-	-	-	900	80	70	100	6,0
800	50	XX.800.T.9050	190	80	40	55	8,0	150	80	40	50	8,0
800	63	XX.800.T.9063	203	80	40	55	8,0	160	80	40	50	8,0
800	75	XX.800.T.9075	215	80	40	55	8,0	175	80	40	50	8,0
800	90	XX.800.T.9090	230	80	40	55	8,0	190	80	40	50	8,0
800	110	XX.800.T.9110	250	80	40	55	8,0	210	80	40	50	8,0
800	125	XX.800.T.9125	265	80	40	55	8,0	225	80	40	50	8,0
800	140	XX.800.T.9140	280	80	40	55	8,0	240	80	40	50	8,0
800	160	XX.800.T.9160	300	80	40	55	8,0	260	80	40	50	8,0
800	180	XX.800.T.9180	320	80	40	55	8,0	280	80	40	50	8,0
800	200	XX.800.T.9200	340	80	40	55	8,0	300	80	40	50	8,0
800	225	XX.800.T.9225	365	80	40	55	8,0	325	80	40	50	8,0
800	250	XX.800.T.9250	390	80	40	55	8,0	350	80	40	50	8,0
800	280	XX.800.T.9280	420	80	50	60	8,0	380	80	50	50	8,0
800	315	XX.800.T.9315	455	80	50	60	8,0	415	80	50	50	8,0
800	355	XX.800.T.9355	495	80	50	60	8,0	455	80	50	50	8,0
800	400	XX.800.T.9400	540	80	50	60	8,0	600	80	50	100	8,0
800	450	XX.800.T.9450	586	80	50	68	8,0	650	80	50	100	8,0
800	500	XX.800.T.9500	650	80	50	75	8,0	700	80	50	100	8,0
800	560	XX.800.T.9560	-	-	-	-	-	760	80	60	100	8,0
800	600	XX.800.T.9600	780	80	60	90	8,0	800	80	60	100	8,0
800	630	XX.800.T.9630	-	-	-	-	-	830	80	70	100	8,0
800	700	XX.800.T.9700	910	80	70	105	8,0	900	80	70	100	8,0
800	710	XX.800.T.9710	-	-	-	-	-	910	80	80	100	8,0
900	50	XX.900.T.9050	190	90	40	55	8,0	150	90	40	50	8,0
900	63	XX.900.T.9063	203	90	40	55	8,0	160	90	40	50	8,0

KARTA KATALOGOWA
Trójnik redukcyjny 90° okrągły

D1	D2	Nr kat.	PVC					PPs/PP-EL-s/ PP/PE				
			L	L1	L2	L3	s	L	L1	L2	L3	s
mm	mm	---	mm					mm				
900	75	XX.900.T.9075	215	90	40	55	8,0	175	90	40	50	8,0
900	90	XX.900.T.9090	230	90	40	55	8,0	190	90	40	50	8,0
900	110	XX.900.T.9110	250	90	40	55	8,0	210	90	40	50	8,0
900	125	XX.900.T.9125	265	90	40	55	8,0	225	90	40	50	8,0
900	140	XX.900.T.9140	280	90	40	55	8,0	240	90	40	50	8,0
900	160	XX.900.T.9160	300	90	40	55	8,0	260	90	40	50	8,0
900	180	XX.900.T.9180	320	90	40	55	8,0	280	90	40	50	8,0
900	200	XX.900.T.9200	340	90	40	55	8,0	300	90	40	50	8,0
900	225	XX.900.T.9225	365	90	40	55	8,0	325	90	40	50	8,0
900	250	XX.900.T.9250	390	90	40	55	8,0	350	90	40	50	8,0
900	280	XX.900.T.9280	420	90	50	60	8,0	380	90	50	50	8,0
900	315	XX.900.T.9315	455	90	50	60	8,0	415	90	50	50	8,0
900	355	XX.900.T.9355	495	90	50	60	8,0	455	90	50	50	8,0
900	400	XX.900.T.9400	540	90	50	60	8,0	600	90	50	100	8,0
900	450	XX.900.T.9450	586	90	50	68	8,0	650	90	50	100	8,0
900	500	XX.900.T.9500	650	90	50	75	8,0	700	90	50	100	8,0
900	560	XX.900.T.9560	-	-	-	-	-	760	90	60	100	8,0
900	600	XX.900.T.9600	780	90	60	90	8,0	800	90	60	100	8,0
900	630	XX.900.T.9630	-	-	-	-	-	830	90	70	100	8,0
900	700	XX.900.T.9700	910	90	70	105	8,0	900	90	70	100	8,0
900	710	XX.900.T.9710	-	-	-	-	-	910	90	80	100	8,0
900	800	XX.900.T.9800	1040	90	80	120	8,0	1100	90	80	150	8,0
1000	50	XX.1000.T.9050	190	100	40	55	10,0	150	100	40	50	10,0
1000	63	XX.1000.T.9063	203	100	40	55	10,0	160	100	40	50	10,0
1000	75	XX.1000.T.9075	215	100	40	55	10,0	175	100	40	50	10,0
1000	90	XX.1000.T.9090	230	100	40	55	10,0	190	100	40	50	10,0
1000	110	XX.1000.T.9110	250	100	40	55	10,0	210	100	40	50	10,0
1000	125	XX.1000.T.9125	265	100	40	55	10,0	225	100	40	50	10,0
1000	140	XX.1000.T.9140	280	100	40	55	10,0	240	100	40	50	10,0
1000	160	XX.1000.T.9160	300	100	40	55	10,0	260	100	40	50	10,0
1000	180	XX.1000.T.9180	320	100	40	55	10,0	280	100	40	50	10,0
1000	200	XX.1000.T.9200	340	100	40	55	10,0	300	100	40	50	10,0
1000	225	XX.1000.T.9225	365	100	40	55	10,0	325	100	40	50	10,0
1000	250	XX.1000.T.9250	390	100	40	55	10,0	350	100	40	50	10,0
1000	280	XX.1000.T.9280	420	100	50	60	10,0	380	100	50	50	10,0
1000	315	XX.1000.T.9315	455	100	50	60	10,0	415	100	50	50	10,0

KARTA KATALOGOWA

Trójnik redukcyjny 90° okrągły

D1	D2	Nr kat.	PVC					PPs/PP-EL-s/ PP/PE				
			L	L1	L2	L3	s	L	L1	L2	L3	s
mm	mm	---	mm					mm				
1000	355	XX.1000.T.9355	495	100	50	60	10,0	455	100	50	50	10,0
1000	400	XX.1000.T.9400	540	100	50	60	10,0	600	100	50	100	10,0
1000	450	XX.1000.T.9450	586	100	50	68	10,0	650	100	50	100	10,0
1000	500	XX.1000.T.9500	650	100	50	75	10,0	700	100	50	100	10,0
1000	560	XX.1000.T.9560	-	-	-	-	-	760	100	60	100	10,0
1000	600	XX.1000.T.9600	780	100	60	90	10,0	800	100	60	100	10,0
1000	630	XX.1000.T.9630	-	-	-	-	-	830	100	80	100	10,0
1000	700	XX.1000.T.9700	910	100	70	105	10,0	900	100	70	100	10,0
1000	710	XX.1000.T.9710	-	-	-	-	-	910	100	80	100	10,0
1000	800	XX.1000.T.9800	1040	100	80	120	10,0	1100	100	80	150	10,0
1000	900	XX.1000.T.9900	1170	100	90	135	10,0	1200	100	90	150	10,0
1200	50	XX.1200.T.9050	190	120	40	55	12,0	150	120	40	50	12,0
1200	63	XX.1200.T.9063	203	120	40	55	12,0	160	120	40	50	12,0
1200	75	XX.1200.T.9075	215	120	40	55	12,0	175	120	40	50	12,0
1200	90	XX.1200.T.9090	230	120	40	55	12,0	190	120	40	50	12,0
1200	110	XX.1200.T.9110	250	120	40	55	12,0	210	120	40	50	12,0
1200	125	XX.1200.T.9125	265	120	40	55	12,0	225	120	40	50	12,0
1200	140	XX.1200.T.9140	280	120	40	55	12,0	240	120	40	50	12,0
1200	160	XX.1200.T.9160	300	120	40	55	12,0	260	120	40	50	12,0
1200	180	XX.1200.T.9180	320	120	40	55	12,0	280	120	40	50	12,0
1200	200	XX.1200.T.9200	340	120	40	55	12,0	300	120	40	50	12,0
1200	225	XX.1200.T.9225	365	120	40	55	12,0	325	120	40	50	12,0
1200	250	XX.1200.T.9250	390	120	40	55	12,0	350	120	40	50	12,0
1200	280	XX.1200.T.9280	420	120	50	60	12,0	380	120	50	50	12,0
1200	315	XX.1200.T.9315	455	120	50	60	12,0	415	120	50	50	12,0
1200	355	XX.1200.T.9355	495	120	50	60	12,0	455	120	50	50	12,0
1200	400	XX.1200.T.9400	540	120	50	60	12,0	600	120	50	100	12,0
1200	450	XX.1200.T.9450	586	120	50	68	12,0	650	120	50	100	12,0
1200	500	XX.1200.T.9500	650	120	50	75	12,0	700	120	50	100	12,0
1200	560	XX.1200.T.9560	-	-	-	-	-	760	120	60	100	12,0
1200	600	XX.1200.T.9600	780	120	60	90	12,0	800	120	60	100	12,0
1200	630	XX.1200.T.9630	-	-	-	-	-	830	120	70	100	12,0
1200	700	XX.1200.T.9700	910	120	70	105	12,0	900	120	70	100	12,0
1200	710	XX.1200.T.9710	-	-	-	-	-	910	120	80	100	12,0
1200	800	XX.1200.T.9800	1040	120	80	120	12,0	1100	120	80	150	12,0
1200	900	XX.1200.T.9900	1170	120	90	135	12,0	1200	120	90	150	12,0

KARTA KATALOGOWA

Trójnik redukcyjny 90° okrągły

D1	D2	Nr kat.	PVC					PPs/PP-EL-s/ PP/PE				
			L	L1	L2	L3	s	L	L1	L2	L3	s
mm	mm	---	mm					mm				
1200	1000	XX.1200.T.91000	1300	120	100	150	12,0	1300	120	100	150	12,0
1250	50	XX.1250.T.9050	190	130	40	55	12,0	150	130	40	50	12,0
1250	63	XX.1250.T.9063	203	130	40	55	12,0	160	130	40	50	12,0
1250	75	XX.1250.T.9075	215	130	40	55	12,0	175	130	40	50	12,0
1250	90	XX.1250.T.9090	230	130	40	55	12,0	190	130	40	50	12,0
1250	110	XX.1250.T.9110	250	130	40	55	12,0	210	130	40	50	12,0
1250	125	XX.1250.T.9125	265	130	40	55	12,0	225	130	40	50	12,0
1250	140	XX.1250.T.9140	280	130	40	55	12,0	240	130	40	50	12,0
1250	160	XX.1250.T.9160	300	130	40	55	12,0	260	130	40	50	12,0
1250	180	XX.1250.T.9180	320	130	40	55	12,0	280	130	40	50	12,0
1250	200	XX.1250.T.9200	340	130	40	55	12,0	300	130	40	50	12,0
1250	225	XX.1250.T.9225	365	130	40	55	12,0	325	130	40	50	12,0
1250	250	XX.1250.T.9250	390	130	40	55	12,0	350	130	40	50	12,0
1250	280	XX.1250.T.9280	420	130	50	60	12,0	380	130	50	50	12,0
1250	315	XX.1250.T.9315	455	130	50	60	12,0	415	130	50	50	12,0
1250	355	XX.1250.T.9355	495	130	50	60	12,0	455	130	50	50	12,0
1250	400	XX.1250.T.9400	540	130	50	60	12,0	600	130	50	100	12,0
1250	450	XX.1250.T.9450	586	130	50	68	12,0	650	130	50	100	12,0
1250	500	XX.1250.T.9500	650	130	50	75	12,0	700	130	50	100	12,0
1250	560	XX.1250.T.9560	-	-	-	-	-	760	130	60	100	12,0
1250	600	XX.1250.T.9600	780	130	60	90	12,0	800	130	60	100	12,0
1250	630	XX.1250.T.9630	-	-	-	-	-	830	130	70	100	12,0
1250	700	XX.1250.T.9700	910	130	70	105	12,0	900	130	70	100	12,0
1250	710	XX.1250.T.9710	-	-	-	-	-	910	130	80	100	12,0
1250	800	XX.1250.T.9800	1040	130	80	120	12,0	1100	130	80	150	12,0
1250	900	XX.1250.T.9900	1170	130	90	135	12,0	1200	130	90	150	12,0
1250	1000	XX.1250.T.91000	1300	130	100	150	12,0	1300	130	100	150	12,0
1250	1200	XX.1250.T.91200	1560	130	120	180	12,0	1500	130	120	150	12,0

Oznaczenia w tabeli:

- D1, D2 - średnica zewnętrzna rur
- L - długość trójnika
- L1, L2 - długość mufy
- L3 - długość odejścia
- XX - oznaczenie materiału w systemie Chemowent:
PVC – 88; PPs – 36, PP-EL-s - 40; PP – 30; PE – 22

KARTA KATALOGOWA

Trójnik redukcyjny 90° okrągły

Wymiary kształtek i kanałów okrągłych

Wielkość nominalna będąca wymiarem umownym do oznaczania i obliczeń przewodów prostych i kształtek, stanowi **zewnętrzny** wymiar – **D**.

Szczelność

Przy połączeniach kanałów i kształtek poprzez spawanie szczelność systemu wynosi 100%.

Sztywność

Kanały i kształtki są usztywniane poprzez odpowiednio dobraną grubość materiału, z którego są wykonane.

W przypadku dużych średnic możliwe jest zastosowanie ożebrowania wzmacniającego w celu ograniczenia grubości płyty.

Metody łączenia

Możliwe metody łączenia okrągłego systemu kanałów i kształtek:

- Spawanie drutem
- Klejenie (tylko tworzywo PVC do średnicy 250mm)
- Łączenie na kołnierze

Materiały do produkcji

- **PVC** – kolor ciemny szary
- **PPs** – kolor szary
- **PP-EL-s** – kolor czarny
- **PP** – kolor jasny szary
- **PE** – kolor czarny