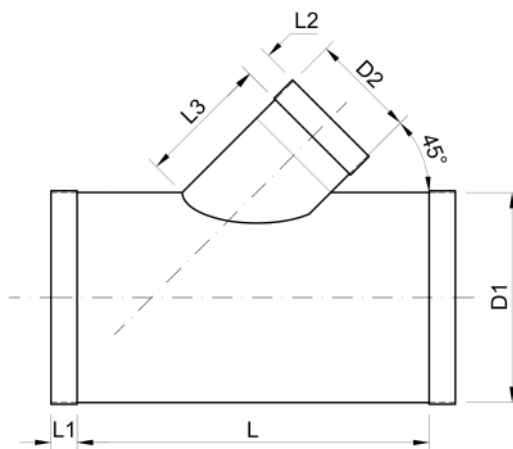


KARTA KATALOGOWA

Trójnik redukcyjny 45° okrągły



D1	D2	Nr kat.	PVC					PPs/PP-EL-s/ PP/PE				
			L	L1	L2	L3	s	L	L1	L2	L3	s
mm	mm	---	mm					mm				
63	50	XX.063.T.45050	170	40	40	100	2,5	170	40	40	100	3,0
75	50	XX.075.T.45050	170	35	40	100	2,5	170	40	40	100	3,0
75	63	XX.075.T.0063	190	35	40	115	2,5	190	40	40	115	3,0
90	50	XX.090.T.45050	170	35	40	100	2,5	170	40	40	100	3,0
90	63	XX.090.T.45063	190	35	40	115	2,5	190	40	40	115	3,0
90	75	XX.110.T.45063	205	35	35	125	2,5	205	40	40	125	3,0
110	50	XX.090.T.45075	170	35	40	100	2,5	170	40	40	100	3,0
110	63	XX.110.T.45075	190	35	40	115	2,5	190	40	40	115	3,0
110	75	XX.110.T.45075	205	35	35	125	2,5	205	40	40	125	3,0
110	90	XX.110.T.45090	230	35	35	140	2,5	230	40	40	140	3,0
125	50	XX.125.T.45050	170	35	40	100	2,5	170	40	40	100	3,0
125	63	XX.125.T.45063	190	35	40	115	2,5	190	40	40	115	3,0
125	75	XX.125.T.45075	205	35	35	125	2,5	205	40	40	125	3,0
125	90	XX.125.T.45090	230	35	35	140	2,5	230	40	40	140	3,0
125	110	XX.125.T.45110	255	35	35	160	2,5	255	40	40	160	3,0
140	50	XX.140.T.45050	170	35	40	100	2,5	170	40	40	100	3,0
140	63	XX.140.T.45063	190	35	40	115	2,5	190	40	40	115	3,0
140	75	XX.140.T.45075	205	35	35	125	2,5	205	40	40	125	3,0
140	90	XX.140.T.45090	230	35	35	140	2,5	230	40	40	140	3,0
140	110	XX.140.T.45110	255	35	35	160	2,5	255	40	40	160	3,0
140	125	XX.140.T.45125	280	35	35	175	2,5	280	40	40	175	3,0
160	50	XX.160.T.45050	170	35	40	100	2,5	170	40	40	100	3,0
160	63	XX.160.T.45063	190	35	40	115	2,5	190	40	40	115	3,0
160	75	XX.160.T.45075	205	35	35	125	2,5	205	40	40	125	3,0
160	90	XX.160.T.45090	230	35	35	140	2,5	230	40	40	140	3,0
160	110	XX.160.T.45110	255	35	35	160	2,5	255	40	40	160	3,0

KARTA KATALOGOWA

Trójnik redukcyjny 45° okrągły

D1	D2	Nr kat.	PVC					PPs/PP-EL-s/ PP/PE				
			L	L1	L2	L3	s	L	L1	L2	L3	s
mm	mm	---	mm					mm				
160	125	XX.160.T.45125	280	35	35	175	2,5	280	40	40	175	3,0
160	140	XX.160.T.45140	290	35	35	190	2,5	290	40	40	190	3,0
180	50	XX.180.T.45050	170	35	40	100	2,5	170	40	40	100	3,0
180	63	XX.180.T.45063	190	35	40	115	2,5	190	40	40	115	3,0
180	75	XX.180.T.45075	205	35	35	125	2,5	205	40	40	125	3,0
180	90	XX.180.T.45090	230	35	35	140	2,5	230	50	40	140	3,0
180	110	XX.180.T.45110	255	35	35	160	2,5	255	50	40	160	3,0
180	125	XX.180.T.45125	280	35	35	175	2,5	280	40	40	175	3,0
180	140	XX.180.T.45140	290	35	35	190	2,5	290	40	40	190	3,0
180	160	XX.180.T.45160	325	35	35	210	2,5	325	40	40	210	3,0
200	50	XX.200.T.45050	170	35	40	100	2,5	170	40	40	100	4,0
200	63	XX.200.T.45063	190	35	40	115	2,5	190	40	40	115	4,0
200	75	XX.200.T.45075	205	35	35	125	2,5	205	40	40	125	4,0
200	90	XX.200.T.45090	230	35	35	140	2,5	230	40	40	140	4,0
200	110	XX.200.T.45110	255	35	35	160	2,5	255	40	40	160	4,0
200	125	XX.200.T.45125	280	35	35	175	2,5	280	40	40	175	4,0
200	140	XX.200.T.45140	290	35	35	190	2,5	290	40	40	190	4,0
200	160	XX.200.T.45160	325	35	35	210	2,5	325	40	40	210	4,0
200	180	XX.200.T.45180	355	35	35	230	2,5	355	40	40	230	4,0
225	50	XX.225.T.45050	170	35	40	100	2,5	170	40	40	100	3,5
225	63	XX.225.T.45063	190	35	40	115	2,5	190	40	40	115	3,5
225	75	XX.225.T.45075	205	35	35	125	2,5	205	40	40	125	3,5
225	90	XX.225.T.45090	230	35	35	140	2,5	230	40	40	140	3,5
225	110	XX.225.T.45110	255	35	35	160	2,5	255	40	40	160	3,5
225	125	XX.225.T.45125	280	35	35	175	2,5	280	40	40	175	3,5
225	140	XX.225.T.45140	290	35	35	190	2,5	290	40	40	190	3,5
225	160	XX.225.T.45160	325	35	35	210	2,5	325	40	40	210	3,5
225	180	XX.225.T.45180	355	35	35	230	2,5	355	40	40	230	3,5
225	200	XX.225.T.45200	380	35	35	250	2,5	380	40	40	250	3,5
250	50	XX.250.T.45050	170	35	40	100	2,5	170	40	40	100	3,5
250	63	XX.250.T.45063	190	35	40	115	2,5	190	40	40	115	3,5
250	75	XX.250.T.45075	205	35	35	125	2,5	205	40	40	125	3,5
250	90	XX.250.T.45090	230	35	35	140	2,5	230	40	40	140	3,5
250	110	XX.250.T.45110	255	35	35	160	2,5	255	40	40	160	3,5
250	125	XX.250.T.45125	280	35	35	175	2,5	280	40	40	175	3,5
250	140	XX.250.T.45140	290	35	35	190	2,5	290	40	40	190	3,5

KARTA KATALOGOWA

Trójnik redukcyjny 45° okrągły

D1	D2	Nr kat.	PVC					PPs/PP-EL-s/ PP/PE				
			L	L1	L2	L3	s	L	L1	L2	L3	s
mm	mm	---	mm					mm				
250	160	XX.250.T.45160	325	35	35	210	2,5	325	40	40	210	3,5
250	180	XX.250.T.45180	355	35	35	230	2,5	355	40	40	230	3,5
250	200	XX.250.T.45200	380	35	35	250	2,5	380	40	40	250	3,5
250	225	XX.250.T.45255	420	35	35	275	2,5	420	40	40	275	3,5
280	50	XX.280.T.45050	170	40	40	100	2,5	170	50	40	100	4,0
280	63	XX.280.T.45063	190	40	40	115	2,5	190	50	40	115	4,0
280	75	XX.280.T.45075	205	40	35	125	2,5	205	50	40	125	4,0
280	90	XX.280.T.45090	230	40	35	140	2,5	230	50	40	140	4,0
280	110	XX.280.T.45110	255	40	35	160	2,5	255	50	40	160	4,0
280	125	XX.280.T.45125	280	40	35	175	2,5	280	50	40	175	4,0
280	140	XX.280.T.45140	290	40	35	190	2,5	290	50	40	190	4,0
280	160	XX.280.T.45160	325	40	35	210	2,5	325	50	40	210	4,0
280	180	XX.280.T.45180	355	40	35	230	2,5	355	50	40	230	4,0
280	200	XX.280.T.45200	380	40	35	250	2,5	380	50	40	250	4,0
280	225	XX.280.T.45225	420	40	35	275	2,5	420	50	40	275	4,0
280	250	XX.280.T.45250	455	40	35	300	2,5	455	50	40	300	4,0
315	50	XX.315.T.45050	170	40	40	100	4,0	170	50	40	100	5,0
315	63	XX.315.T.45063	190	40	40	115	4,0	190	50	40	115	5,0
315	75	XX.315.T.45075	205	40	35	125	4,0	205	50	40	125	5,0
315	90	XX.315.T.45090	230	40	35	140	4,0	230	50	40	140	5,0
315	110	XX.315.T.45110	255	40	35	160	4,0	255	50	40	160	5,0
315	125	XX.315.T.45125	280	40	35	175	4,0	280	50	40	175	5,0
315	140	XX.315.T.45140	290	40	35	190	4,0	290	50	40	190	5,0
315	160	XX.315.T.45160	325	40	35	210	4,0	325	50	40	210	5,0
315	180	XX.315.T.45180	355	40	35	230	4,0	355	50	40	230	5,0
315	200	XX.315.T.45200	380	40	35	250	4,0	380	50	40	250	5,0
315	225	XX.315.T.45225	420	40	35	275	4,0	420	50	40	275	5,0
315	250	XX.315.T.45250	455	40	35	300	4,0	455	50	40	300	5,0
315	280	XX.315.T.45280	495	40	40	330	4,0	495	50	40	330	5,0
355	50	XX.355.T.45050	170	40	40	100	3,0	170	50	40	100	5,0
355	63	XX.355.T.45063	190	40	40	115	3,0	190	50	40	115	5,0
355	75	XX.355.T.45075	205	40	35	125	3,0	205	50	40	125	5,0
355	90	XX.355.T.45090	230	40	35	140	3,0	230	50	40	140	5,0
355	110	XX.355.T.45110	255	40	35	160	3,0	255	50	40	160	5,0
355	125	XX.355.T.45125	280	40	35	175	3,0	280	50	40	175	5,0
355	140	XX.355.T.45140	290	40	35	190	3,0	290	50	40	190	5,0

KARTA KATALOGOWA
Trójnik redukcyjny 45° okrągły

D1	D2	Nr kat.	PVC					PPs/PP-EL-s/ PP/PE				
			L	L1	L2	L3	s	L	L1	L2	L3	s
mm	mm	---	mm					mm				
355	160	XX.355.T.45160	325	40	35	210	3,0	325	50	40	210	5,0
355	180	XX.355.T.45180	355	40	35	230	3,0	355	50	40	230	5,0
355	200	XX.355.T.45200	380	40	35	250	3,0	380	50	40	250	5,0
355	225	XX.355.T.45225	420	40	35	275	3,0	420	50	40	275	5,0
355	250	XX.355.T.45250	455	40	35	300	3,0	455	50	40	300	5,0
355	280	XX.355.T.45280	495	40	40	330	3,0	495	50	50	330	5,0
355	315	XX.355.T.45315	545	40	40	365	3,0	545	50	50	365	5,0
400	50	XX.400.T.45050	170	40	40	100	3,0	170	50	40	100	6,0
400	63	XX.400.T.45063	190	40	40	115	3,0	190	50	40	115	6,0
400	75	XX.400.T.45075	205	40	35	125	3,0	205	50	40	125	6,0
400	90	XX.400.T.45090	230	40	35	140	3,0	230	50	40	140	6,0
400	110	XX.400.T.45110	255	40	35	160	3,0	255	50	40	160	6,0
400	125	XX.400.T.45125	280	40	35	175	3,0	280	50	40	175	6,0
400	140	XX.400.T.45140	290	40	35	190	3,0	290	50	40	190	6,0
400	160	XX.400.T.45160	325	40	35	210	3,0	325	50	40	210	6,0
400	180	XX.400.T.45180	355	40	35	230	3,0	355	50	40	230	6,0
400	200	XX.400.T.45200	380	40	35	250	3,0	380	50	40	250	6,0
400	225	XX.400.T.45225	420	40	35	275	3,0	420	50	40	275	6,0
400	250	XX.400.T.45250	455	40	35	300	3,0	455	50	40	300	6,0
400	280	XX.400.T.45280	495	40	40	330	3,0	495	50	50	330	6,0
400	315	XX.400.T.45315	545	40	40	365	3,0	545	50	50	365	6,0
400	355	XX.400.T.45355	600	40	40	405	3,0	600	50	50	405	6,0
450	50	XX.450.T.45050	90	50	35	60	3,6	90	50	35	60	4,0
450	63	XX.450.T.45063	115	50	35	75	3,6	115	50	35	75	4,0
450	75	XX.450.T.45075	140	50	35	90	3,6	140	50	40	90	4,0
450	90	XX.450.T.45090	165	50	35	110	3,6	165	50	40	110	4,0
450	110	XX.450.T.45110	200	50	35	130	3,6	200	50	40	130	4,0
450	125	XX.450.T.45125	230	50	35	150	3,6	230	50	40	150	4,0
450	140	XX.450.T.45140	255	50	35	170	3,6	255	50	40	170	4,0
450	160	XX.450.T.45160	290	50	35	190	3,6	290	50	40	190	4,0
450	180	XX.450.T.45180	330	50	35	215	3,6	330	50	40	215	4,0
450	200	XX.450.T.45200	365	50	35	240	3,6	365	50	40	240	4,0
450	225	XX.450.T.45225	410	50	35	270	3,6	410	50	40	270	4,0
450	250	XX.450.T.45250	455	50	35	300	3,6	455	50	40	300	4,0
450	280	XX.450.T.45280	510	50	40	335	3,6	510	50	50	335	4,0
450	315	XX.450.T.45315	575	50	40	380	3,6	575	50	50	380	4,0

KARTA KATALOGOWA

Trójnik redukcyjny 45° okrągły

D1	D2	Nr kat.	PVC					PPs/PP-EL-s/ PP/PE				
			L	L1	L2	L3	s	L	L1	L2	L3	s
mm	mm	---	mm					mm				
450	355	XX.450.T.45355	645	50	40	425	3,6	645	50	50	425	4,0
450	400	XX.450.T.45400	725	50	40	480	3,6	725	50	50	480	4,0
500	50	XX.500.T.45050	90	50	35	60	5,0	90	50	35	60	4,0
500	63	XX.500.T.45063	115	50	35	75	5,0	115	50	35	75	4,0
500	75	XX.500.T.45075	140	50	35	90	5,0	140	50	40	90	4,0
500	90	XX.500.T.45090	165	50	35	110	5,0	165	50	40	110	4,0
500	110	XX.500.T.45110	200	50	35	130	5,0	200	50	40	130	4,0
500	125	XX.500.T.45125	230	50	35	150	5,0	230	50	40	150	4,0
500	140	XX.500.T.45140	255	50	35	170	5,0	255	50	40	170	4,0
500	160	XX.500.T.45160	290	50	35	190	5,0	290	50	40	190	4,0
500	180	XX.500.T.45180	330	50	35	215	5,0	330	50	40	215	4,0
500	200	XX.500.T.45200	365	50	35	240	5,0	365	50	40	240	4,0
500	225	XX.500.T.45225	410	50	35	270	5,0	410	50	40	270	4,0
500	250	XX.500.T.45250	455	50	35	300	5,0	455	50	40	300	4,0
500	280	XX.500.T.45280	510	50	40	335	5,0	510	50	50	335	4,0
500	315	XX.500.T.45315	575	50	40	380	5,0	575	50	50	380	4,0
500	355	XX.500.T.45355	645	50	40	425	5,0	645	50	50	425	4,0
500	400	XX.500.T.45400	725	50	40	480	5,0	725	50	50	480	4,0
500	450	XX.500.T.45450	820	50	50	540	5,0	820	50	50	540	4,0
560	50	XX.560.T.45050	-	-	-	-	-	90	60	35	60	6,0
560	63	XX.560.T.45063	-	-	-	-	-	115	60	35	75	6,0
560	75	XX.560.T.45075	-	-	-	-	-	140	60	40	90	6,0
560	90	XX.560.T.45090	-	-	-	-	-	165	60	40	110	6,0
560	110	XX.560.T.45110	-	-	-	-	-	200	60	40	130	6,0
560	125	XX.560.T.45125	-	-	-	-	-	230	60	40	150	6,0
560	140	XX.560.T.45140	-	-	-	-	-	255	60	40	170	6,0
560	160	XX.560.T.45160	-	-	-	-	-	290	60	40	190	6,0
560	180	XX.560.T.45180	-	-	-	-	-	330	60	40	215	6,0
560	200	XX.560.T.45200	-	-	-	-	-	365	60	40	240	6,0
560	225	XX.560.T.45225	-	-	-	-	-	410	60	40	270	6,0
560	250	XX.560.T.45250	-	-	-	-	-	455	60	40	300	6,0
560	280	XX.560.T.45280	-	-	-	-	-	510	60	50	335	6,0
560	315	XX.560.T.45315	-	-	-	-	-	575	60	50	380	6,0
560	355	XX.560.T.45355	-	-	-	-	-	645	60	50	425	6,0
560	400	XX.560.T.45400	-	-	-	-	-	725	60	50	480	6,0
560	450	XX.560.T.45450	-	-	-	-	-	820	60	50	540	6,0

KARTA KATALOGOWA

Trójnik redukcyjny 45° okrągły

D1	D2	Nr kat.	PVC					PPs/PP-EL-s/ PP/PE				
			L	L1	L2	L3	s	L	L1	L2	L3	s
mm	mm	---	mm					mm				
560	500	XX.560.T.45500	-	-	-	-	-	910	60	50	600	6,0
600	50	XX.600.T.45050	90	60	35	60	5,0	90	60	35	60	6,0
600	63	XX.600.T.45063	115	60	35	75	5,0	115	60	35	75	6,0
600	75	XX.600.T.45075	140	60	35	90	5,0	140	60	40	90	6,0
600	90	XX.600.T.45090	165	60	35	110	5,0	165	60	40	110	6,0
600	110	XX.600.T.45110	200	60	35	130	5,0	200	60	40	130	6,0
600	125	XX.600.T.45125	230	60	35	150	5,0	230	60	40	150	6,0
600	140	XX.600.T.45140	255	60	35	170	5,0	255	60	40	170	6,0
600	160	XX.600.T.45160	290	60	35	190	5,0	290	60	40	190	6,0
600	180	XX.600.T.45180	330	60	35	215	5,0	330	60	40	215	6,0
600	200	XX.600.T.45200	365	60	35	240	5,0	365	60	40	240	6,0
600	225	XX.600.T.45225	410	60	35	270	5,0	410	60	40	270	6,0
600	250	XX.600.T.45250	455	60	35	300	5,0	455	60	40	300	6,0
600	280	XX.600.T.45280	510	60	40	335	5,0	510	60	50	335	6,0
600	315	XX.600.T.45315	575	60	40	380	5,0	575	60	50	380	6,0
600	355	XX.600.T.45355	645	60	40	425	5,0	645	60	50	425	6,0
600	400	XX.600.T.45400	725	60	40	480	5,0	725	60	50	480	6,0
600	450	XX.600.T.45450	820	60	50	540	5,0	820	60	50	540	6,0
600	500	XX.600.T.45500	910	60	50	600	5,0	910	60	50	600	6,0
600	560	XX.600.T.45560	-	-	-	-	-	1015	60	60	670	6,0
630	50	XX.630.T.45050	-	-	-	-	-	90	70	35	60	6,0
630	63	XX.630.T.45063	-	-	-	-	-	115	70	35	75	6,0
630	75	XX.630.T.45075	-	-	-	-	-	140	70	40	90	6,0
630	90	XX.630.T.45090	-	-	-	-	-	165	70	40	110	6,0
630	110	XX.630.T.45110	-	-	-	-	-	200	70	40	130	6,0
630	125	XX.630.T.45125	-	-	-	-	-	230	70	40	150	6,0
630	140	XX.630.T.45140	-	-	-	-	-	255	70	40	170	6,0
630	160	XX.630.T.45160	-	-	-	-	-	290	70	40	190	6,0
630	180	XX.630.T.45180	-	-	-	-	-	330	70	40	215	6,0
630	200	XX.630.T.45200	-	-	-	-	-	365	70	40	240	6,0
630	225	XX.630.T.45225	-	-	-	-	-	410	70	40	270	6,0
630	250	XX.630.T.45250	-	-	-	-	-	455	70	40	300	6,0
630	280	XX.630.T.45280	-	-	-	-	-	510	70	50	335	6,0
630	315	XX.630.T.45315	-	-	-	-	-	575	70	50	380	6,0
630	355	XX.630.T.45355	-	-	-	-	-	645	70	50	425	6,0
630	400	XX.630.T.45400	-	-	-	-	-	725	70	50	480	6,0

KARTA KATALOGOWA
Trójnik redukcyjny 45° okrągły

D1	D2	Nr kat.	PVC					PPs/PP-EL-s/ PP/PE				
			L	L1	L2	L3	s	L	L1	L2	L3	s
mm	mm	---	mm					mm				
630	450	XX.630.T.45450	-	-	-	-	-	820	70	50	540	6,0
630	500	XX.630.T.45500	-	-	-	-	-	910	70	50	600	6,0
630	560	XX.630.T.45560	-	-	-	-	-	1015	70	60	670	6,0
630	600	XX.630.T.45600	-	-	-	-	-	1090	70	60	720	6,0
700	50	XX.700.T.45050	90	70	35	60	6,0	90	70	35	60	6,0
700	63	XX.700.T.45063	115	70	35	75	6,0	115	70	35	75	6,0
700	75	XX.700.T.45075	140	70	35	90	6,0	140	70	40	90	6,0
700	90	XX.700.T.45090	165	70	35	110	6,0	165	70	40	110	6,0
700	110	XX.700.T.45110	200	70	35	130	6,0	200	70	40	130	6,0
700	125	XX.700.T.45125	230	70	35	150	6,0	230	70	40	150	6,0
700	140	XX.700.T.45140	255	70	35	170	6,0	255	70	40	170	6,0
700	160	XX.700.T.45160	290	70	35	190	6,0	290	70	40	190	6,0
700	180	XX.700.T.45180	330	70	35	215	6,0	330	70	40	215	6,0
700	200	XX.700.T.45200	365	70	35	240	6,0	365	70	40	240	6,0
700	225	XX.700.T.45225	410	70	35	270	6,0	410	70	40	270	6,0
700	250	XX.700.T.45250	455	70	35	300	6,0	455	70	40	300	6,0
700	280	XX.700.T.45280	510	70	40	335	6,0	510	70	50	335	6,0
700	315	XX.700.T.45315	575	70	40	380	6,0	575	70	50	380	6,0
700	355	XX.700.T.45355	645	70	40	425	6,0	645	70	50	425	6,0
700	400	XX.700.T.45400	725	70	40	480	6,0	725	70	50	480	6,0
700	450	XX.700.T.45450	820	70	50	540	6,0	820	70	50	540	6,0
700	500	XX.700.T.45500	910	70	50	600	6,0	910	70	50	600	6,0
700	560	XX.700.T.45560	-	-	-	-	-	1015	70	60	670	6,0
700	600	XX.700.T.45600	1090	70	60	720	6,0	1090	70	60	720	6,0
700	630	XX.700.T.45630	-	-	-	-	-	1145	70	70	755	6,0
710	50	XX.710.T.45050	-	-	-	-	-	90	80	35	60	6,0
710	63	XX.710.T.45063	-	-	-	-	-	115	80	35	75	6,0
710	75	XX.710.T.45075	-	-	-	-	-	140	80	40	90	6,0
710	90	XX.710.T.45090	-	-	-	-	-	165	80	40	110	6,0
710	110	XX.710.T.45110	-	-	-	-	-	200	80	40	130	6,0
710	125	XX.710.T.45125	-	-	-	-	-	230	80	40	150	6,0
710	140	XX.710.T.45140	-	-	-	-	-	255	80	40	170	6,0
710	160	XX.710.T.45160	-	-	-	-	-	290	80	40	190	6,0
710	180	XX.710.T.45180	-	-	-	-	-	330	80	40	215	6,0
710	200	XX.710.T.45200	-	-	-	-	-	365	80	40	240	6,0
710	225	XX.710.T.45225	-	-	-	-	-	410	80	40	270	6,0

KARTA KATALOGOWA
Trójnik redukcyjny 45° okrągły

D1	D2	Nr kat.	PVC					PPs/PP-EL-s/ PP/PE				
			L	L1	L2	L3	s	L	L1	L2	L3	s
mm	mm	---	mm					mm				
710	250	XX.710.T.45250	-	-	-	-	-	455	80	40	300	6,0
710	280	XX.710.T.45280	-	-	-	-	-	510	80	50	335	6,0
710	315	XX.710.T.45315	-	-	-	-	-	575	80	50	380	6,0
710	355	XX.710.T.45355	-	-	-	-	-	645	80	50	425	6,0
710	400	XX.710.T.45400	-	-	-	-	-	725	80	50	480	6,0
710	450	XX.710.T.45450	-	-	-	-	-	820	80	50	540	6,0
710	500	XX.710.T.45500	-	-	-	-	-	910	80	50	600	6,0
710	560	XX.710.T.45560	-	-	-	-	-	1015	80	60	670	6,0
710	600	XX.710.T.45600	-	-	-	-	-	1090	80	60	720	6,0
710	630	XX.710.T.45630	-	-	-	-	-	1145	80	60	755	6,0
710	700	XX.710.T.45700	-	-	-	-	-	1270	80	70	840	6,0
800	50	XX.800.T.45050	90	80	35	60	8,0	90	80	35	60	8,0
800	63	XX.800.T.45063	115	80	35	75	8,0	115	80	35	75	8,0
800	75	XX.800.T.45075	140	80	35	90	8,0	140	80	40	90	8,0
800	90	XX.800.T.45090	165	80	35	110	8,0	165	80	40	110	8,0
800	110	XX.800.T.45110	200	80	35	130	8,0	200	80	40	130	8,0
800	125	XX.800.T.45125	230	80	35	150	8,0	230	80	40	150	8,0
800	140	XX.800.T.45140	255	80	35	170	8,0	255	80	40	170	8,0
800	160	XX.800.T.45160	290	80	35	190	8,0	290	80	40	190	8,0
800	180	XX.800.T.45180	330	80	35	215	8,0	330	80	40	215	8,0
800	200	XX.800.T.45200	365	80	35	240	8,0	365	80	40	240	8,0
800	225	XX.800.T.45225	410	80	35	270	8,0	410	80	40	270	8,0
800	250	XX.800.T.45250	455	80	35	300	8,0	455	80	40	300	8,0
800	280	XX.800.T.45280	510	80	40	335	8,0	510	80	50	335	8,0
800	315	XX.800.T.45315	575	80	40	380	8,0	575	80	50	380	8,0
800	355	XX.800.T.45355	645	80	40	425	8,0	645	80	50	425	8,0
800	400	XX.800.T.45400	725	80	40	480	8,0	725	80	50	480	8,0
800	450	XX.800.T.45450	820	80	50	540	8,0	820	80	50	540	8,0
800	500	XX.800.T.45500	910	80	50	600	8,0	910	80	50	600	8,0
800	560	XX.800.T.45560	-	-	-	-	-	1015	80	60	670	8,0
800	600	XX.800.T.45600	1090	80	60	720	8,0	1090	80	60	720	8,0
800	630	XX.800.T.45630	-	-	-	-	-	1145	80	70	755	8,0
800	700	XX.800.T.45700	1270	80	70	840	8,0	1270	80	70	840	8,0
800	710	XX.800.T.45710	-	-	-	-	-	1290	80	80	850	8,0
900	50	XX.900.T.45050	90	90	35	60	8,0	90	90	35	60	8,0
900	63	XX.900.T.45063	115	90	35	75	8,0	115	90	35	75	8,0

KARTA KATALOGOWA

Trójnik redukcyjny 45° okrągły

D1	D2	Nr kat.	PVC					PPs/PP-EL-s/ PP/PE				
			L	L1	L2	L3	s	L	L1	L2	L3	s
mm	mm	---	mm					mm				
900	75	XX.900.T.45075	140	90	35	90	8,0	140	90	40	90	8,0
900	90	XX.900.T.45090	165	90	35	110	8,0	165	90	40	110	8,0
900	110	XX.900.T.45110	200	90	35	130	8,0	200	90	40	130	8,0
900	125	XX.900.T.45125	230	90	35	150	8,0	230	90	40	150	8,0
900	140	XX.900.T.45140	255	90	35	170	8,0	255	90	40	170	8,0
900	160	XX.900.T.45160	290	90	35	190	8,0	290	90	40	190	8,0
900	180	XX.900.T.45180	330	90	35	215	8,0	330	90	40	215	8,0
900	200	XX.900.T.45200	365	90	35	240	8,0	365	90	40	240	8,0
900	225	XX.900.T.45225	410	90	35	270	8,0	410	90	40	270	8,0
900	250	XX.900.T.45250	455	90	35	300	8,0	455	90	40	300	8,0
900	280	XX.900.T.45280	510	90	40	335	8,0	510	90	50	335	8,0
900	315	XX.900.T.45315	575	90	40	380	8,0	575	90	50	380	8,0
900	355	XX.900.T.45355	645	90	40	425	8,0	645	90	50	425	8,0
900	400	XX.900.T.45400	725	90	40	480	8,0	725	90	50	480	8,0
900	450	XX.900.T.45450	820	90	50	540	8,0	820	90	50	540	8,0
900	500	XX.900.T.45500	910	90	50	600	8,0	910	90	50	600	8,0
900	560	XX.900.T.45560	-	-	-	-	-	1015	90	60	670	8,0
900	600	XX.900.T.45600	1090	90	60	720	8,0	1090	90	60	720	8,0
900	630	XX.900.T.45630	-	-	-	-	-	1145	90	70	755	8,0
900	700	XX.900.T.45700	1270	90	70	840	8,0	1270	90	70	840	8,0
900	710	XX.900.T.45710	-	-	-	-	-	1290	90	80	850	8,0
900	800	XX.900.T.45800	1450	90	80	960	8,0	1450	90	80	960	8,0
1000	50	XX.1000.T.45050	90	100	35	60	10,0	90	100	35	60	10,0
1000	63	XX.1000.T.45063	115	100	35	75	10,0	115	100	35	75	10,0
1000	75	XX.1000.T.45075	140	100	35	90	10,0	140	100	40	90	10,0
1000	90	XX.1000.T.45090	165	100	35	110	10,0	165	100	40	110	10,0
1000	110	XX.1000.T.45110	200	100	35	130	10,0	200	100	40	130	10,0
1000	125	XX.1000.T.45125	230	100	35	150	10,0	230	100	40	150	10,0
1000	140	XX.1000.T.45140	255	100	35	170	10,0	255	100	40	170	10,0
1000	160	XX.1000.T.45160	290	100	35	190	10,0	290	100	40	190	10,0
1000	180	XX.1000.T.45180	330	100	35	215	10,0	330	100	40	215	10,0
1000	200	XX.1000.T.45200	365	100	35	240	10,0	365	100	40	240	10,0
1000	225	XX.1000.T.45225	410	100	35	270	10,0	410	100	40	270	10,0
1000	250	XX.1000.T.45250	455	100	35	300	10,0	455	100	40	300	10,0
1000	280	XX.1000.T.45280	510	100	40	335	10,0	510	100	50	335	10,0
1000	315	XX.1000.T.45315	575	100	40	380	10,0	575	100	50	380	10,0

KARTA KATALOGOWA

Trójnik redukcyjny 45° okrągły

D1	D2	Nr kat.	PVC					PPs/PP-EL-s/ PP/PE				
			L	L1	L2	L3	s	L	L1	L2	L3	s
mm	mm	---	mm					mm				
1000	355	XX.1000.T.45355	645	100	40	425	10,0	645	100	50	425	10,0
1000	400	XX.1000.T.45400	725	100	40	480	10,0	725	100	50	480	10,0
1000	450	XX.1000.T.45450	820	100	40	540	10,0	820	100	50	540	10,0
1000	500	XX.1000.T.45500	910	100	50	600	10,0	910	100	50	600	10,0
1000	560	XX.1000.T.45560	-	-	-	-	-	1015	100	60	670	10,0
1000	600	XX.1000.T.45600	1090	100	60	720	10,0	1090	100	60	720	10,0
1000	630	XX.1000.T.45630	-	-	-	-	-	1145	100	70	755	10,0
1000	700	XX.1000.T.45700	1270	100	70	840	10,0	1270	100	70	840	10,0
1000	710	XX.1000.T.45710	-	-	-	-	-	1290	100	80	850	10,0
1000	800	XX.1000.T.45800	1450	100	80	960	10,0	1450	100	80	960	10,0
1000	900	XX.1000.T.45900	1635	100	90	1080	10,0	1635	100	90	1080	10,0
1200	50	XX.1200.T.45050	90	120	35	60	12,0	90	120	35	60	12,0
1200	63	XX.1200.T.45063	115	120	35	75	12,0	115	120	35	75	12,0
1200	75	XX.1200.T.45075	140	120	35	90	12,0	140	120	40	90	12,0
1200	90	XX.1200.T.45090	165	120	35	110	12,0	165	120	40	110	12,0
1200	110	XX.1200.T.45110	200	120	35	130	12,0	200	120	40	130	12,0
1200	125	XX.1200.T.45125	230	120	35	150	12,0	230	120	40	150	12,0
1200	140	XX.1200.T.45140	255	120	35	170	12,0	255	120	40	170	12,0
1200	160	XX.1200.T.45160	290	120	35	190	12,0	290	120	40	190	12,0
1200	180	XX.1200.T.45180	330	120	35	215	12,0	330	120	40	215	12,0
1200	200	XX.1200.T.45200	365	120	35	240	12,0	365	120	40	240	12,0
1200	225	XX.1200.T.45225	410	120	35	270	12,0	410	120	40	270	12,0
1200	250	XX.1200.T.45250	455	120	35	300	12,0	455	120	40	300	12,0
1200	280	XX.1200.T.45280	510	120	40	335	12,0	510	120	50	335	12,0
1200	315	XX.1200.T.45315	575	120	40	380	12,0	575	120	50	380	12,0
1200	355	XX.1200.T.45355	645	120	40	425	12,0	645	120	50	425	12,0
1200	400	XX.1200.T.45400	725	120	40	480	12,0	725	120	50	480	12,0
1200	450	XX.1200.T.45450	820	120	40	540	12,0	820	120	50	540	12,0
1200	500	XX.1200.T.45500	910	120	50	600	12,0	910	120	50	600	12,0
1200	560	XX.1200.T.45560	-	-	-	-	-	1015	120	60	670	12,0
1200	600	XX.1200.T.45600	1090	120	60	720	12,0	1090	120	60	720	12,0
1200	630	XX.1200.T.45630	-	-	-	-	-	1145	120	70	755	12,0
1200	700	XX.1200.T.45700	1270	120	70	840	12,0	1270	120	70	840	12,0
1200	710	XX.1200.T.45710	-	-	-	-	-	1290	120	80	850	12,0
1200	800	XX.1200.T.45800	1450	120	80	960	12,0	1450	120	80	960	12,0
1200	900	XX.1200.T.45900	1635	120	90	1080	12,0	1635	120	90	1080	12,0

KARTA KATALOGOWA

Trójnik redukcyjny 45° okrągły

D1	D2	Nr kat.	PVC					PPs/PP-EL-s/ PP/PE				
			L	L1	L2	L3	s	L	L1	L2	L3	s
mm	mm	---	mm					mm				
1200	1000	XX.1200.T.451000	1815	120	100	1200	12,0	1815	120	100	1200	12,0
1250	50	XX.1250.T.45050	90	130	35	60	12,0	90	130	35	60	12,0
1250	63	XX.1250.T.45063	115	130	35	75	12,0	115	130	35	75	12,0
1250	75	XX.1250.T.45075	140	130	35	90	12,0	140	130	40	90	12,0
1250	90	XX.1250.T.45090	165	130	35	110	12,0	165	130	40	110	12,0
1250	110	XX.1250.T.45110	200	130	35	130	12,0	200	130	40	130	12,0
1250	125	XX.1250.T.45125	230	130	35	150	12,0	230	130	40	150	12,0
1250	140	XX.1250.T.45140	255	130	35	170	12,0	255	130	40	170	12,0
1250	160	XX.1250.T.45160	290	130	35	190	12,0	290	130	40	190	12,0
1250	180	XX.1250.T.45180	330	130	35	215	12,0	330	130	40	215	12,0
1250	200	XX.1250.T.45200	365	130	35	240	12,0	365	130	40	240	12,0
1250	225	XX.1250.T.45225	410	130	35	270	12,0	410	130	40	270	12,0
1250	250	XX.1250.T.45250	455	130	35	300	12,0	455	130	40	300	12,0
1250	280	XX.1250.T.45280	510	130	40	335	12,0	510	130	50	335	12,0
1250	315	XX.1250.T.45315	575	130	40	380	12,0	575	130	50	380	12,0
1250	355	XX.1250.T.45355	645	130	40	425	12,0	645	130	50	425	12,0
1250	400	XX.1250.T.45400	725	130	40	480	12,0	725	130	50	480	12,0
1250	450	XX.1250.T.45450	820	130	50	540	12,0	820	130	50	540	12,0
1250	500	XX.1250.T.45500	910	130	50	600	12,0	910	130	50	600	12,0
1250	560	XX.1250.T.45560	-	-	-	-	-	1015	130	60	670	12,0
1250	600	XX.1250.T.45600	1090	130	60	720	12,0	1090	130	60	720	12,0
1250	630	XX.1250.T.45630	-	-	-	-	-	1145	130	70	755	12,0
1250	700	XX.1250.T.45700	1270	130	70	840	12,0	1270	130	70	840	12,0
1250	710	XX.1250.T.45710	-	-	-	-	-	1290	130	80	850	12,0
1250	800	XX.1250.T.45800	1450	130	80	960	12,0	1450	130	80	960	12,0
1250	900	XX.1250.T.45900	1635	130	90	1080	12,0	1635	130	90	1080	12,0
1250	1000	XX.1250.T.451000	1815	130	100	1200	12,0	1815	130	100	1200	12,0
1250	1200	XX.1250.T.451200	2180	130	120	1440	12,0	2180	130	120	1440	12,0

Oznaczenia w tabeli:

- D1, D2 - średnica zewnętrzna rur
- L - długość trójnika
- L1, L2 - długość mufy
- L3 - długość odejścia
- XX - oznaczenie materiału w systemie Chemowent:

PVC – 88; PPs – 36, PP-EL-s - 40; PP – 30; PE – 22

KARTA KATALOGOWA

Trójnik redukcyjny 45° okrągły

Wymiary kształtek i kanałów okrągłych

Wielkość nominalna będąca wymiarem umownym do oznaczania i obliczeń przewodów prostych i kształtek, stanowi **zewnętrzny** wymiar – **D**.

Szczelność

Przy połączeniach kanałów i kształtek poprzez spawanie szczelność systemu wynosi 100%.

Sztywność

Kanały i kształtki są usztywniane poprzez odpowiednio dobraną grubość materiału, z którego są wykonane.

W przypadku dużych średnic możliwe jest zastosowanie ożebrowania wzmacniającego w celu ograniczenia grubości płyty.

Metody łączenia

Możliwe metody łączenia okrągłego systemu kanałów i kształtek:

- Spawanie drutem
- Klejenie (tylko tworzywo PVC do średnicy 250mm)
- Łączenie na kołnierze

Materiały do produkcji

- **PVC** – kolor ciemny szary
- **PPs** – kolor szary
- **PP-EL-s** – kolor czarny
- **PP** – kolor jasny szary
- **PE** – kolor czarny